

GPS Compass

KGC-222

Highly accurate heading, position and speed data readily available

Stable and fast tracking capability



- ▶ **Backup sensor built-in**
- ▶ **Pitch / roll and heaving data output**
- ▶ **3 heading data output ports expandable to 5 ports**

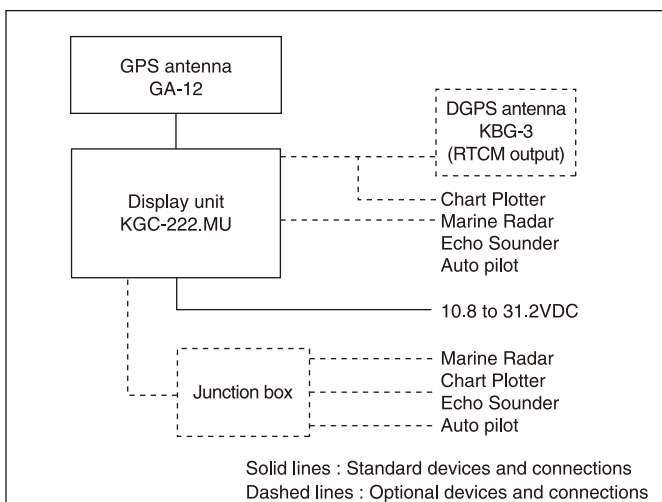
FEATURES

- KGC-222 consists of two main components, display and antenna.
Display unit has processor, receiver and LCD display built-in.
- KGC-222 has internal electronic compass as backup sensor.
This enables the backup sensor to output heading even if the GPS signals are interrupted in such case as the vessel passing under a bridge.
- KGC-222 can also output pitch / roll and heaving data.
When KGC-222 is used with an echo sounder with heaving compensation function, you can obtain stable sea bottom without effect from heaves and waves.
- It has 3 heading data output ports. Up to 5 ports will be available with connecting optional junction box.

SPECIFICATIONS

Model	KGC-222
Components	Display unit: KGC-222.MU GPS antenna: GA-12
Display size and type	LCD with backlight (128 x 64 pixels, effective picture area : 85.7 x 54.4 mm)
Receiving frequency	1575.42 MHz ± 1 MHz
Receiving channel	16 channel parallel
Sensitivity	Better than -130 dBm
Setting time	2 minutes (at standard hot-start time)
Heading accuracy	1° rms
Heading resolution	0.1°
Maximum rate of turn	45° /s
Maximum follow-up acceleration	1g
Maximum role / pitch angle	30°
Base line length	0.5 m
Time to position fix	Cold start 50 sec (standard) Warm start 45 sec (standard) Hot start 20 sec (standard)
Positioning accuracy	Position GPS: 10m (2 drms, PDOP 3 or less) Velocity 1 m / sec (rms, SA:OFF, PDOP: 3 or less)
Datum	88 (WGS-84, Tokyo etc.)
Output data	Format NMEA 0183 Ver.2.0 Heading data sentence ATT, HDM, HDT, HVE, RÖT, PKODG21 Navigation data sentence DTM, GGA, GLL, GSA, GSV, MSS, RMC, VTG, ZDA, PKODA, PKODG1, PKODG7, PKODQ
	Data level RS-422
	Output current 20mA
Power supply	10.8 to 31.2 VDC
Power Consumption	9W or less (at 24VDC)
Operating temperature	GPS antenna -25°C to +55°C Display unit -15°C to +55°C
Water protection	GPS antenna IPX6 Display unit IPX4

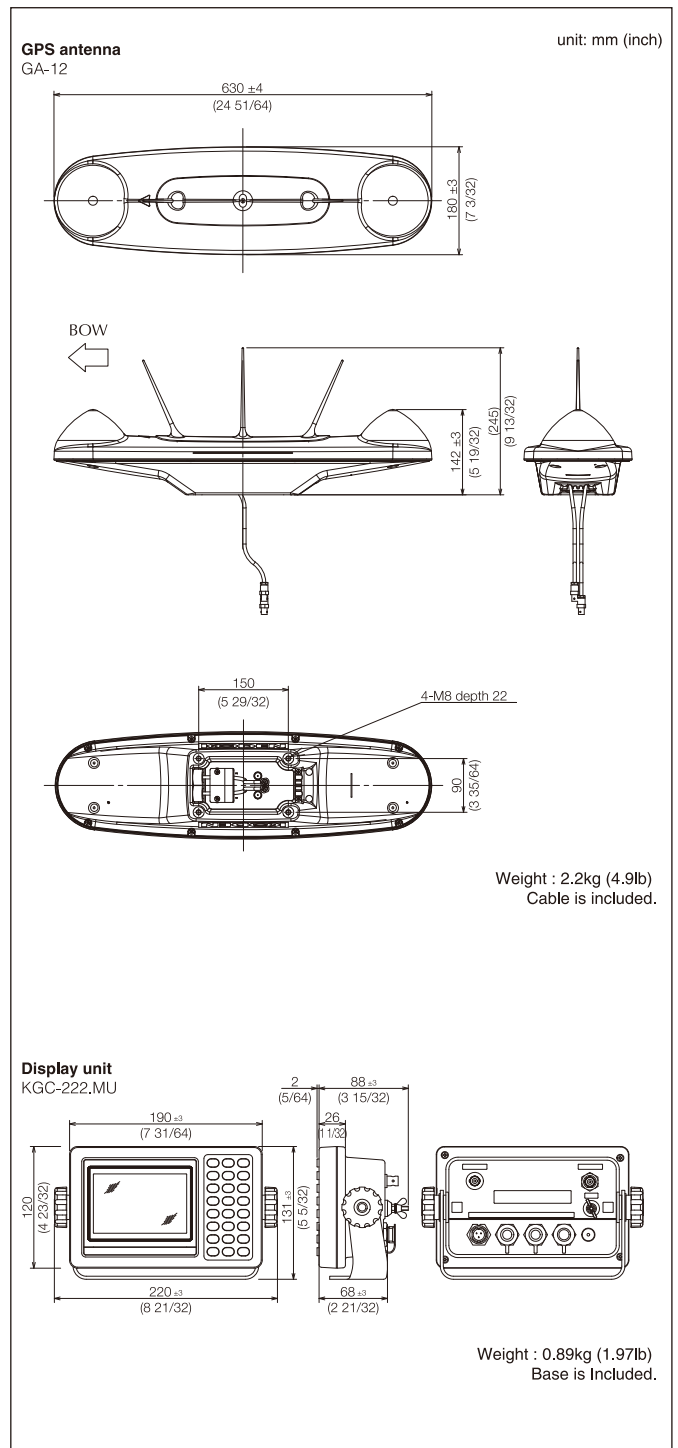
CONNECTIONS



EQUIPMENT LIST

Standard equipment	Display unit	1 set
	GPS antenna	1 set
	DC power cable (1.8M)	1
	Antenna cable (15M)	1 set
	Installation material, Operation manual	1 set
Options	Connecting cable, Junction box, Power rectifier, AC power cable, Flush mount kit, Antenna cable extension kit, Conversion cable, Connector	

DIMENSIONS AND WEIGHT



• Design and specifications are subject to change without notice.

KODEN Kodon Electronics Co., Ltd.

Tamagawa Office:
2-13-24 Tamagawa, Ota-ku, Tokyo, 146-0095 Japan
Tel: +81-3-3756-6501 Fax: +81-3-3756-6509
Uenohara Office:
5278 Uenohara, Uenohara-shi, Yamanashi, 409-0112 Japan
Tel: +81-554-20-5860 Fax: +81-554-20-5875

overseas@koden-electronics.co.jp

www.koden-electronics.co.jp



Safety precaution

To ensure proper and safe use of the equipment, please carefully read and follow the instructions in the Operation Manual.

For details, please contact: